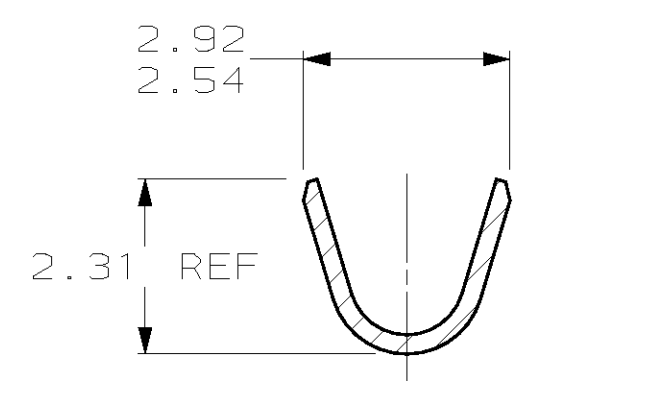
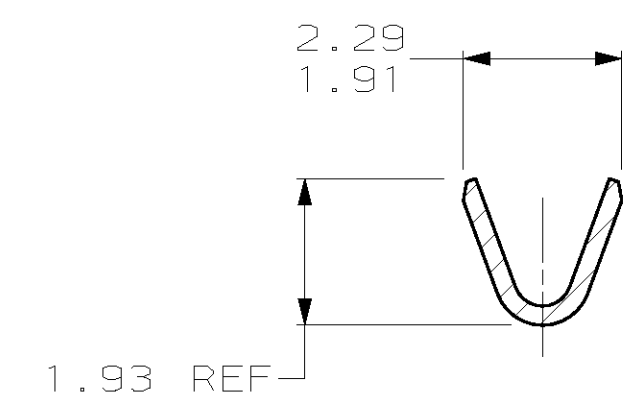
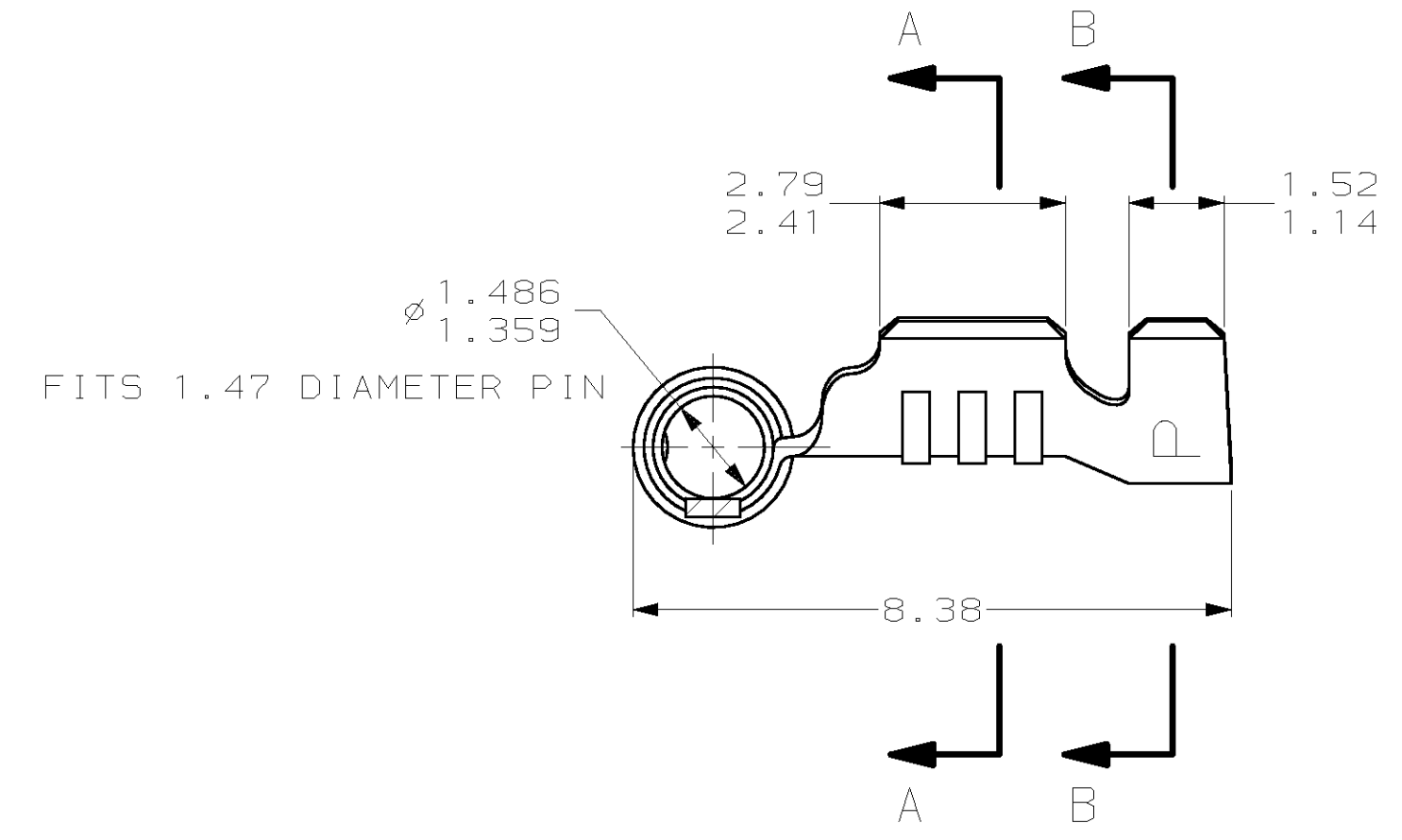
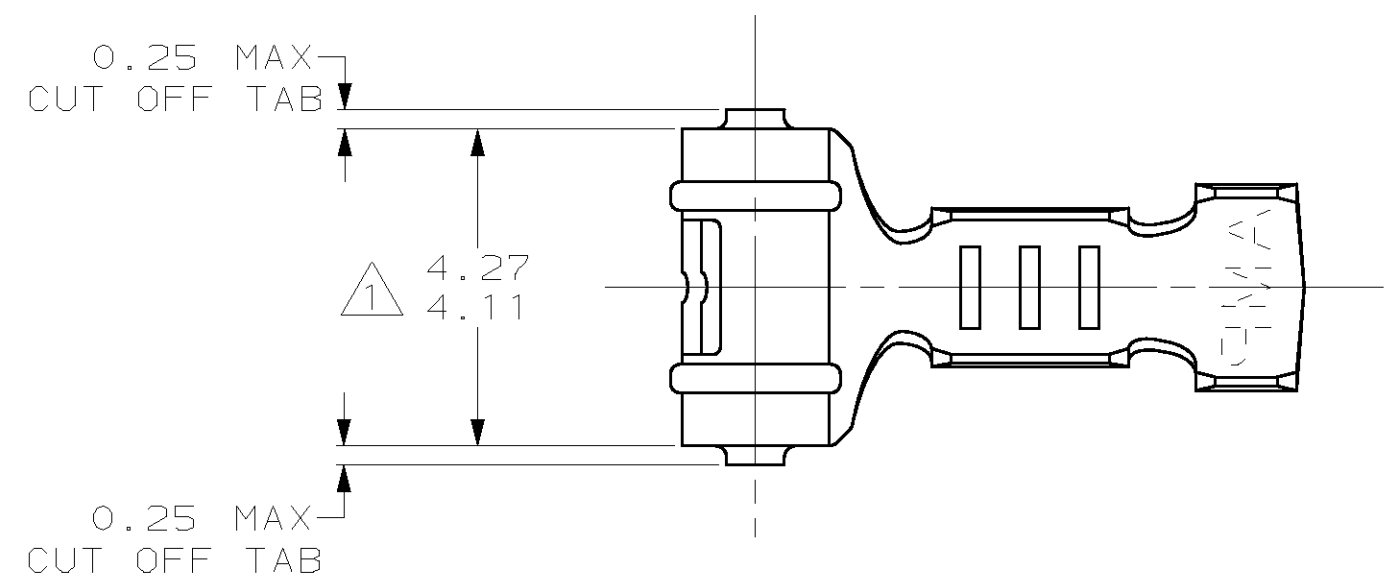


THIS DRAWING IS UNPUBLISHED. RELEASED FOR PUBLICATION
 (C) COPYRIGHT 19 BY AMP INCORPORATED. ALL RIGHTS RESERVED.

LOC	DIST	REVISIONS			
P	LTR	DESCRIPTION	DATE	DWN	APVD
CM	52	E	REV & REDWN PER EC 0L30-0125-97	6-12-97	TB RS

- 1. 0.00038 MIN SELECTIVE GOLD PLATING ON INSIDE OF RECEPTACLE OVER NICKEL OVER ALL UNDERPLATE.
- 2. WIRE RANGE: 0.2 - 0.6 MM² (24 - 20 AWG)
- 3. INSULATION RANGE: 1.14 - 1.78



MATTE TIN	0.25 BE COPPER	61276-3
PRE-TIN	0.25 PH BRZ	61276-2
△	0.25 BE COPPER	61276-1
FINISH	MATERIAL	PART NUMBER

1.47	.058	2.29	.090	4.11	.162	-	-
1.359	.0535	1.93	.076	2.92	.115	-	-
1.14	.045	1.91	.075	2.79	.110	-	-
0.25	.010	1.78	.070	2.54	.100	-	-
0.13	.005	1.52	.060	2.41	.095	8.38	.330
0.00038	.000015	1.486	.0585	2.31	.091	4.27	.168
MM	IN	MM	IN	MM	IN	MM	IN

CONVERSION TABLE

METRIC

THIS DRAWING IS A CONTROLLED DOCUMENT.

DIMENSIONS:	TOLERANCES UNLESS OTHERWISE SPECIFIED:	DWN	T. BECK	6-12-97
mm		CHK	R. SWING	6-12-97
	0 PLC ±-	APVD	A. BEDDICK	6-17-97
	1 PLC ±-	PRODUCT SPEC	108-1025	
	2 PLC ±0.13	APPLICATION SPEC	114-1008	
	3 PLC ±-	WEIGHT	-	
4 PLC ±-	FINISH	SEE TABLE		

AMP Incorporated
Harrisburg, PA 17105-3608

RECEPTACLE, .058 DIAMETER, 24-20 AWG, .045-.070 INSULATION, RIGHT ANGLE, LOOSE PIECE, P.C. CONTACT

SIZE: A2 CAGE CODE: 00779 DRAWING NO: 61276 RESTRICTED TO: -

CUSTOMER DRAWING SCALE: 10:1 SHEET: 1 OF 1 REV: F